



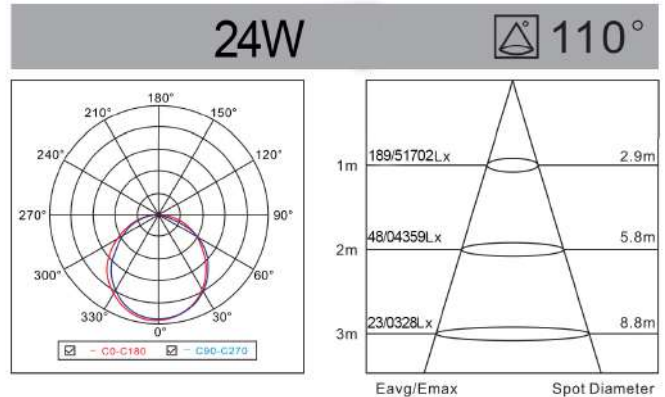
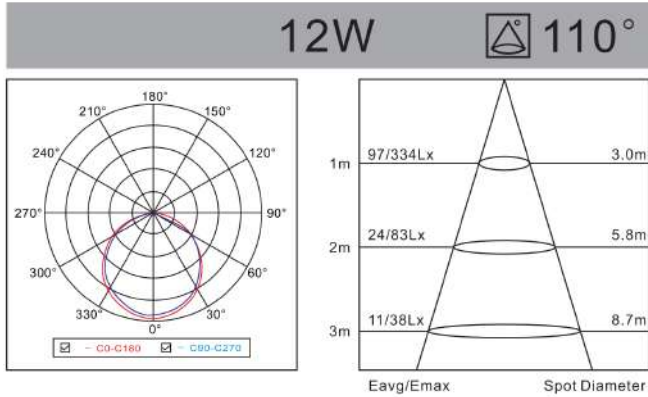
## LED Down Light EC Series



Modell Model	Leistung Power	Lumen Lumen	Verdunklung DIM	Produktgröße Product size	Lochgröße Cutout
LP-DL12EC01-Y	• 12W	1020LM	N	Ø166x25mm	105-150mm
LP-DL24EC01-Y	• 24W	2000LM	N	Ø219x25mm	150-210mm



## LED Down Light EC Series



### Product Overview

Energy efficiency class	A+
PF	>0.5
CCT(K)	4000 -6500 K
CRI(Ra)	>80
Voltage (V)	220-240 V / 50 Hz
Lifespan (hrs)	30000/100000 SwitchingCycles
Working Temperature (C)	-15 - 50 C
Storage Temperature (C)	-15 - 50 C

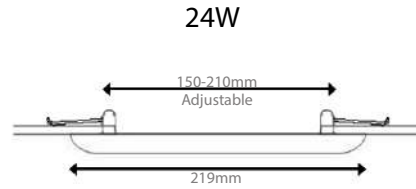
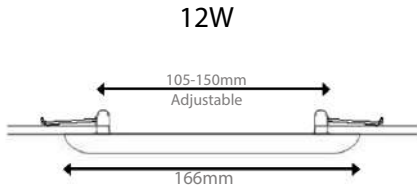


## LED Down Light EC Series

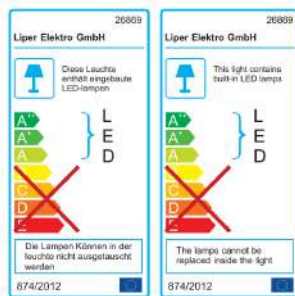


\* Do not use in close luminaire

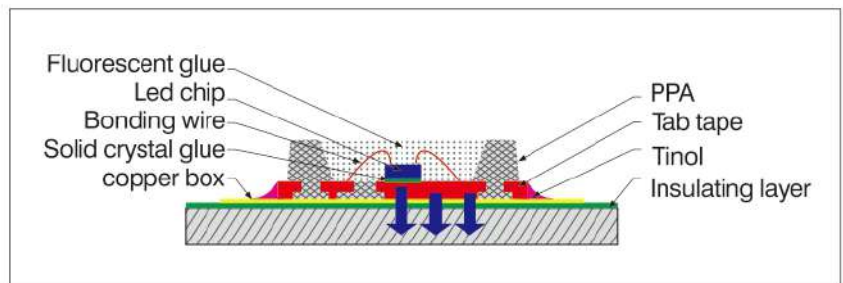
### Technical Drawings



### Energy Label

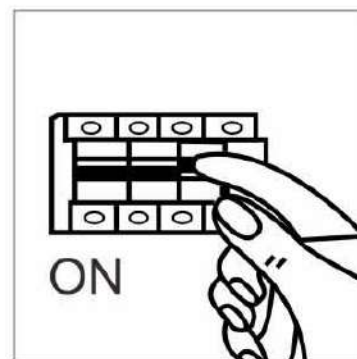
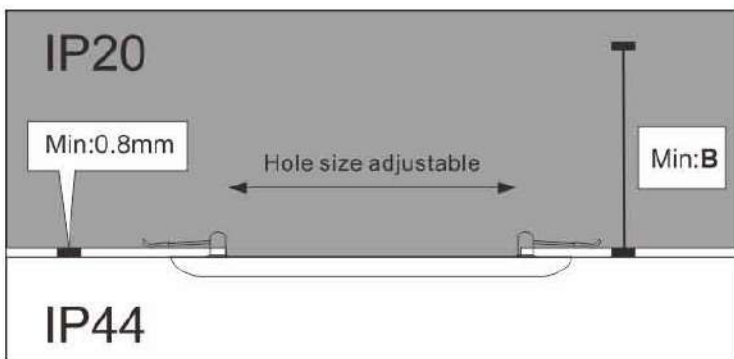
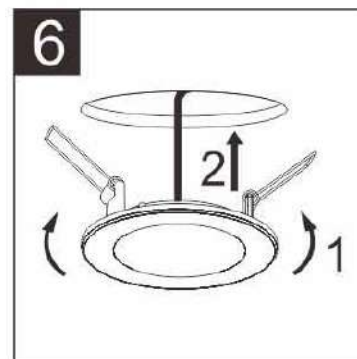
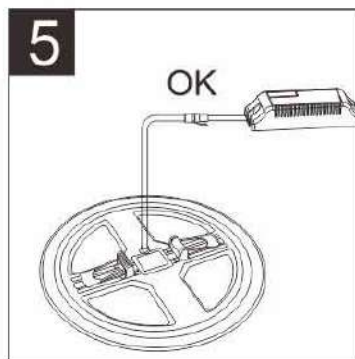
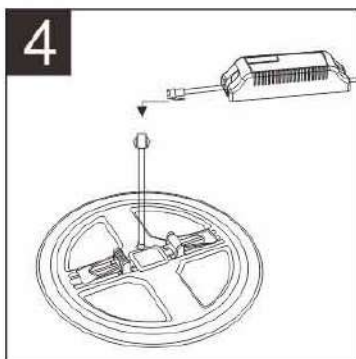
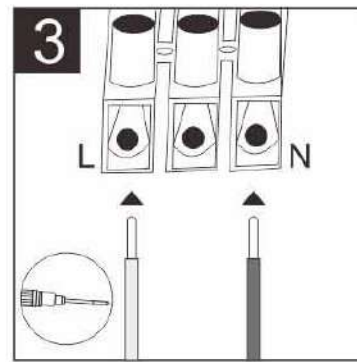
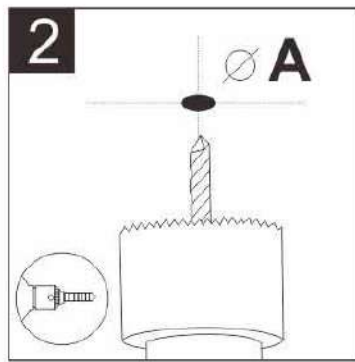
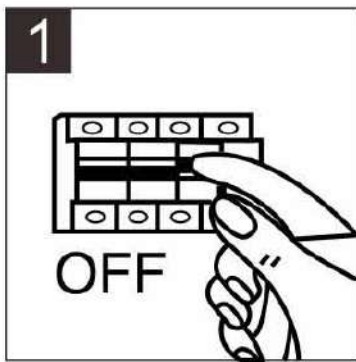
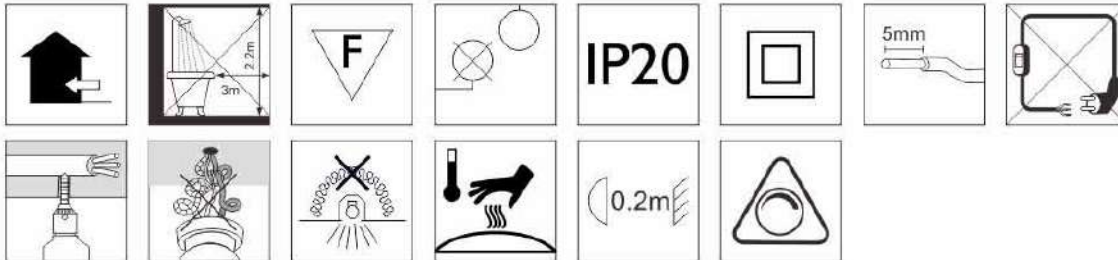


### SMD breakdown drawing





## LED Down Light EC Series



Based on actual product purchased