



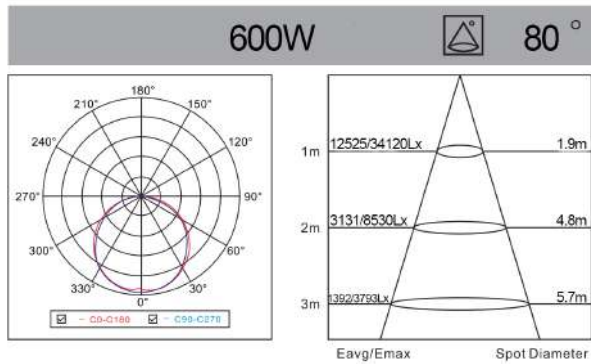
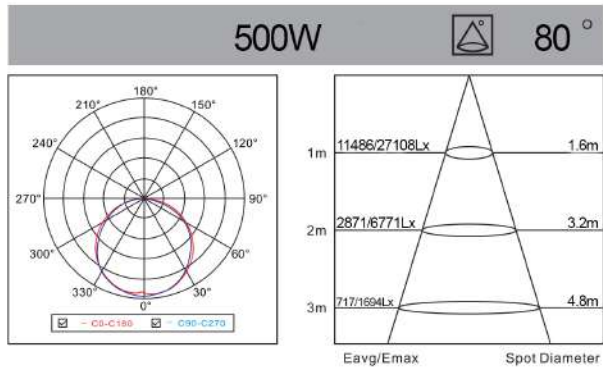
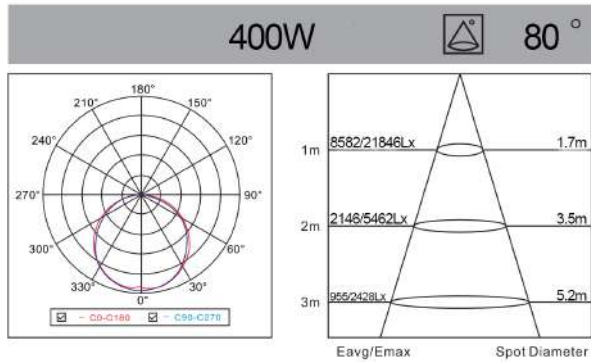
LED Flood Light M Series



Modell Model	Leistung Power	Lumen Lumen	Eindringenschutz IP	Produktgröße Product size
LPFL-400M01	• 400W	39500LM	65	Ø573x73x490mm
LPFL-500M01	• 500W	49700LM	65	Ø573x73x600mm
LPFL-600M01	• 600W	59500LM	65	Ø573x73x700mm



LED Flood Light M Series



Product Overview

Energy efficiency class	A+
PF	>0.6
CCT(K)	3000K/4000K/6500K
CRI(Ra)	>85
Voltage (V)	AC220-240
Frequency(Hz)	50/60
Lifespan (hrs)	30000/100000 SwitchingCycles
Working Temperature (C)	-45-50
Storage Temperature (C)	-45-50



LED Flood Light M Series

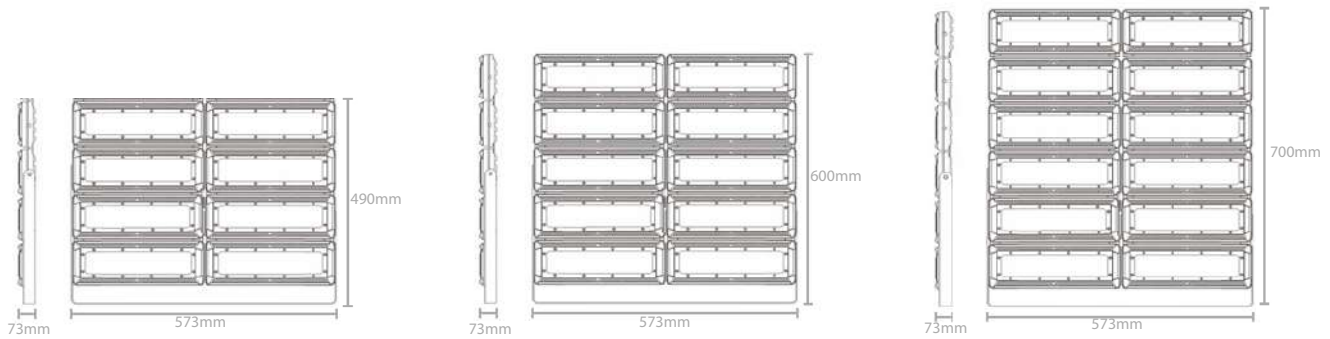


Physical data

Weight(g)	6350g/7550g/8750g
Designed for optimum use in non standard conditions	No
Single packaging type	BOX
Single package dimensions (L x W x H)(mm)	600x520x85/1Pcs 600x620x85/1Pcs 600x720x85/1Pcs

* Do not use in close luminaire

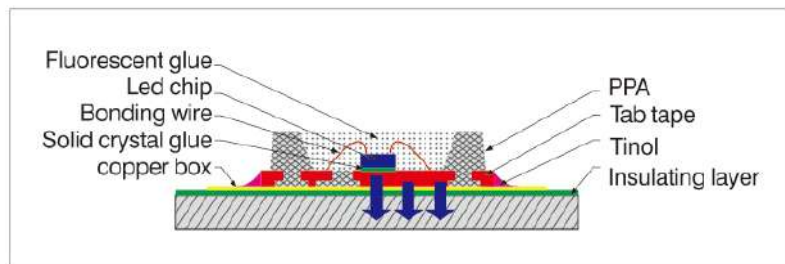
Technical Drawings



Energy Label

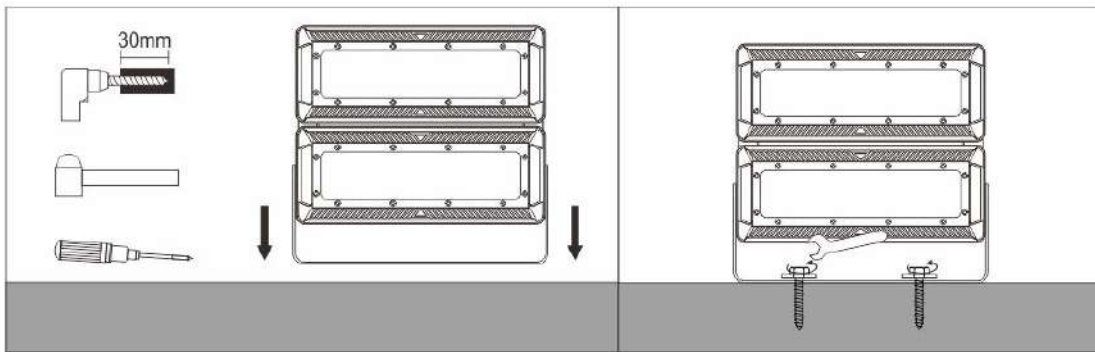
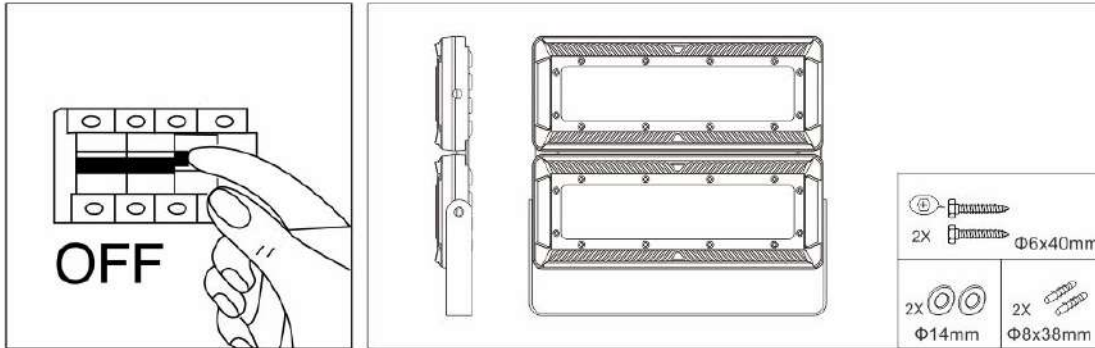


SMD breakdown drawing





LED Flood Light M Series



WIRE CONNECTION

*Notice: Cut off power source before installing!

Using wire connection Box* for power connection.
*Wire connection box and Connector is not provided.

Connector dimensions:
10mm x 20mm x 25mm

LED SURGE PROTECTIVE DEVICES
(THIS DEVICES IS ADDITIONAL, HAVE TO PAY EXTRALLY)

90°

ON