



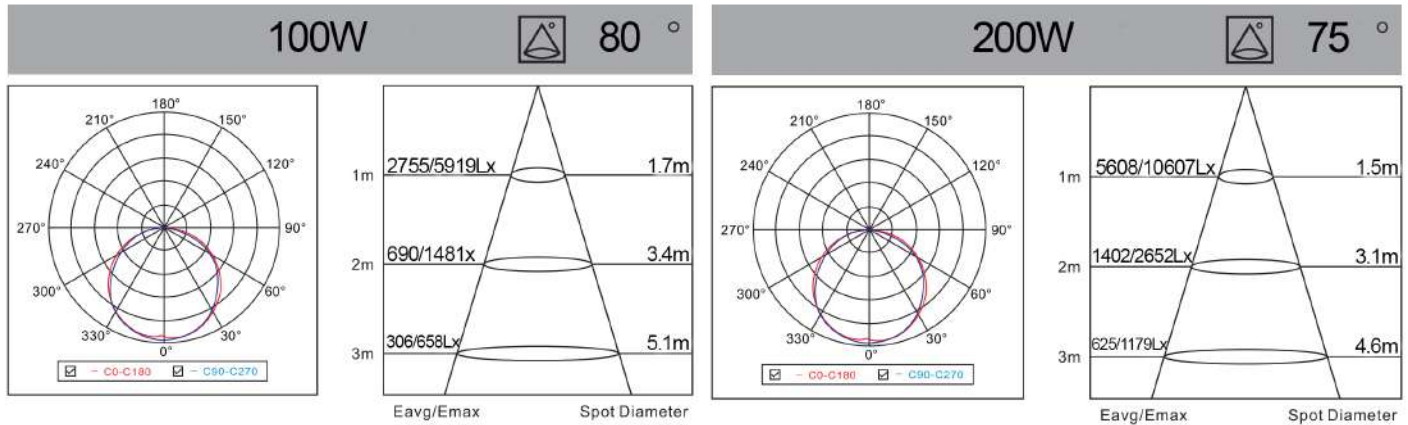
UFO Lampe B Series



Modell Model	Leistung Power	Lumen Lumen	Eindringenschutz IP	Produktgröße Product size
LPUF-100B01	• 100W	9300LM	65	∅ 265x130mm
LPUF-200B01	• 200W	18700LM	65	∅ 375x125mm



UFO Lampe B Series



Product Overview

Energy efficiency class	A+
PF	>0.5
CCT(K)	3000K/4000K/6500K
CRI(Ra)	>80
Voltage (V)	AC220-240
Frequency(Hz)	50/60
Lifespan (hrs)	30000/100000 Switching Cycles
Working Temperature (C)	-45-50
Storage Temperature (C)	-45-50



UFO Lampe B Series

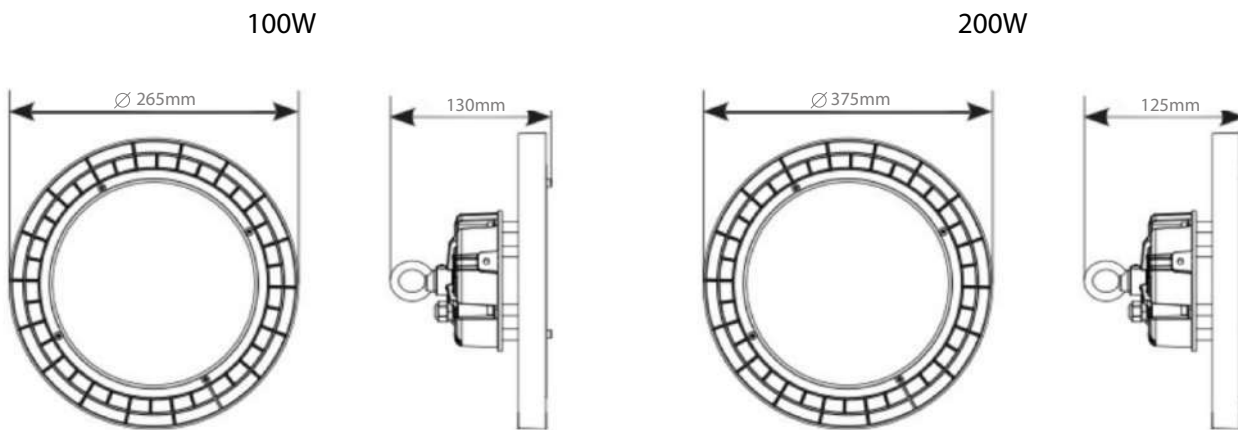


Physical data

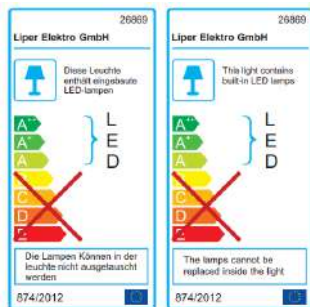
Weight(g)	2600g / 5300g
Designed for optimum use in non standard conditions	No
Single packaging type	BOX - 8 Pcs / Box 4 Pcs
Single package dimensions (L x W x H)(mm)	275x275x105mm / 390x390x120mm

* Do not use in close luminaire

Technical Drawings



Energy Label



SMD breakdown drawing

